

BUKHD THREE ARRIVAL (RNAV)

ATLANTA, GEORGIA

ATLANTA APP CON
 121.0 268.7
 FTY ATIS
 120.175
 LZU ATIS
 132.275
 ★ KMGE ATIS
 269.5
 PDK ATIS
 128.4
 RYY ATIS
 128.125

ARRIVAL ROUTE DESCRIPTION

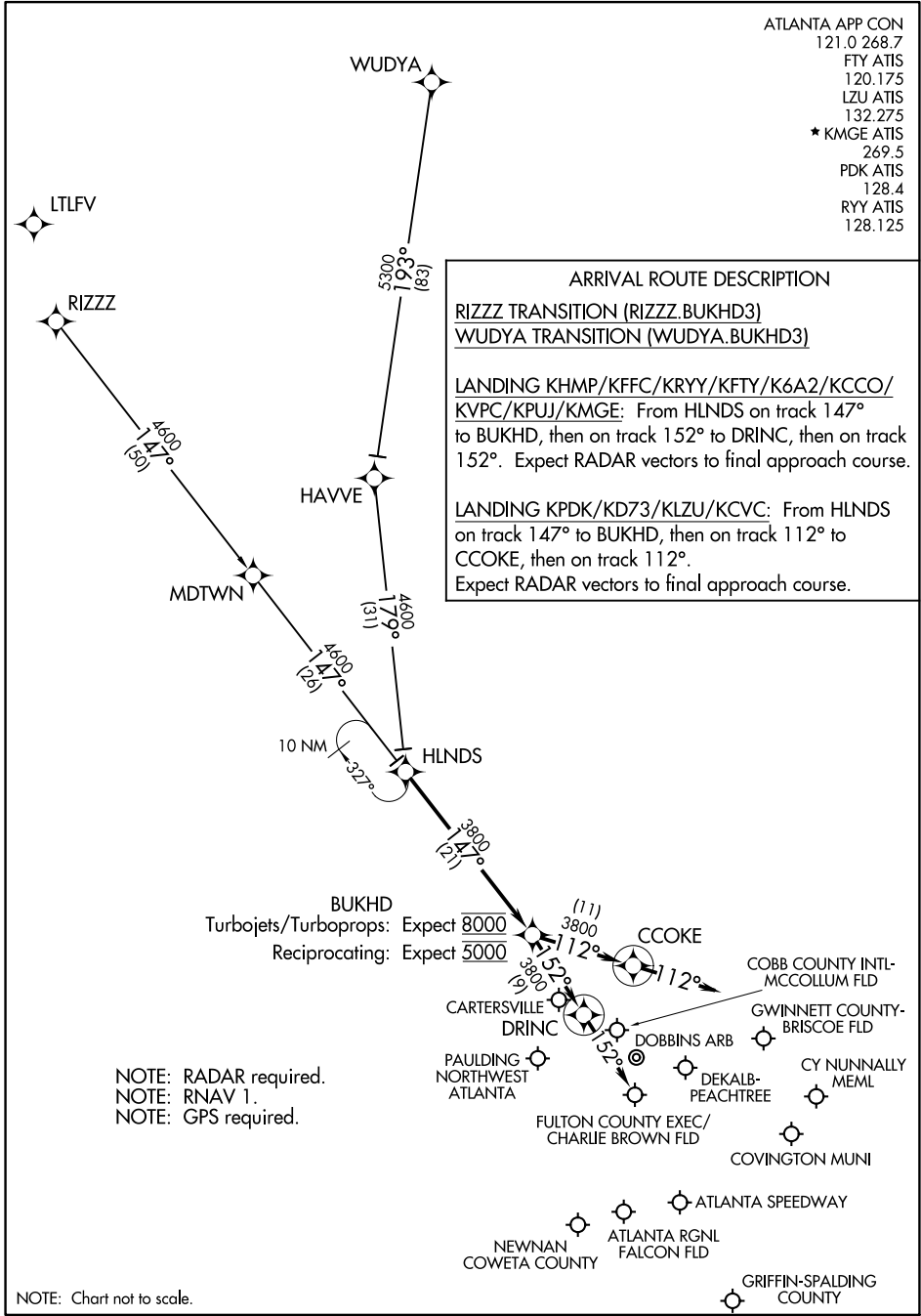
RIZZZ TRANSITION (RIZZZ.BUKHD3)
WUDYA TRANSITION (WUDYA.BUKHD3)

LANDING KHMP/KFFC/KRYY/KFTY/K6A2/KCCO/
 KVPC/KPUJ/KMGE: From HLNDS on track 147°
 to BUKHD, then on track 152° to DRINC, then on track
 152°. Expect RADAR vectors to final approach course.

LANDING KPDK/KD73/KLZU/KCVC: From HLNDS
 on track 147° to BUKHD, then on track 112° to
 CCOKE, then on track 112°.
 Expect RADAR vectors to final approach course.

SE-4, 04 NOV 2021 to 02 DEC 2021

SE-4, 04 NOV 2021 to 02 DEC 2021



NOTE: RADAR required.
 NOTE: RNAV 1.
 NOTE: GPS required.

NOTE: Chart not to scale.

BUKHD THREE ARRIVAL (RNAV)

ATLANTA, GEORGIA

(AWSON.DEHAN3) 21168

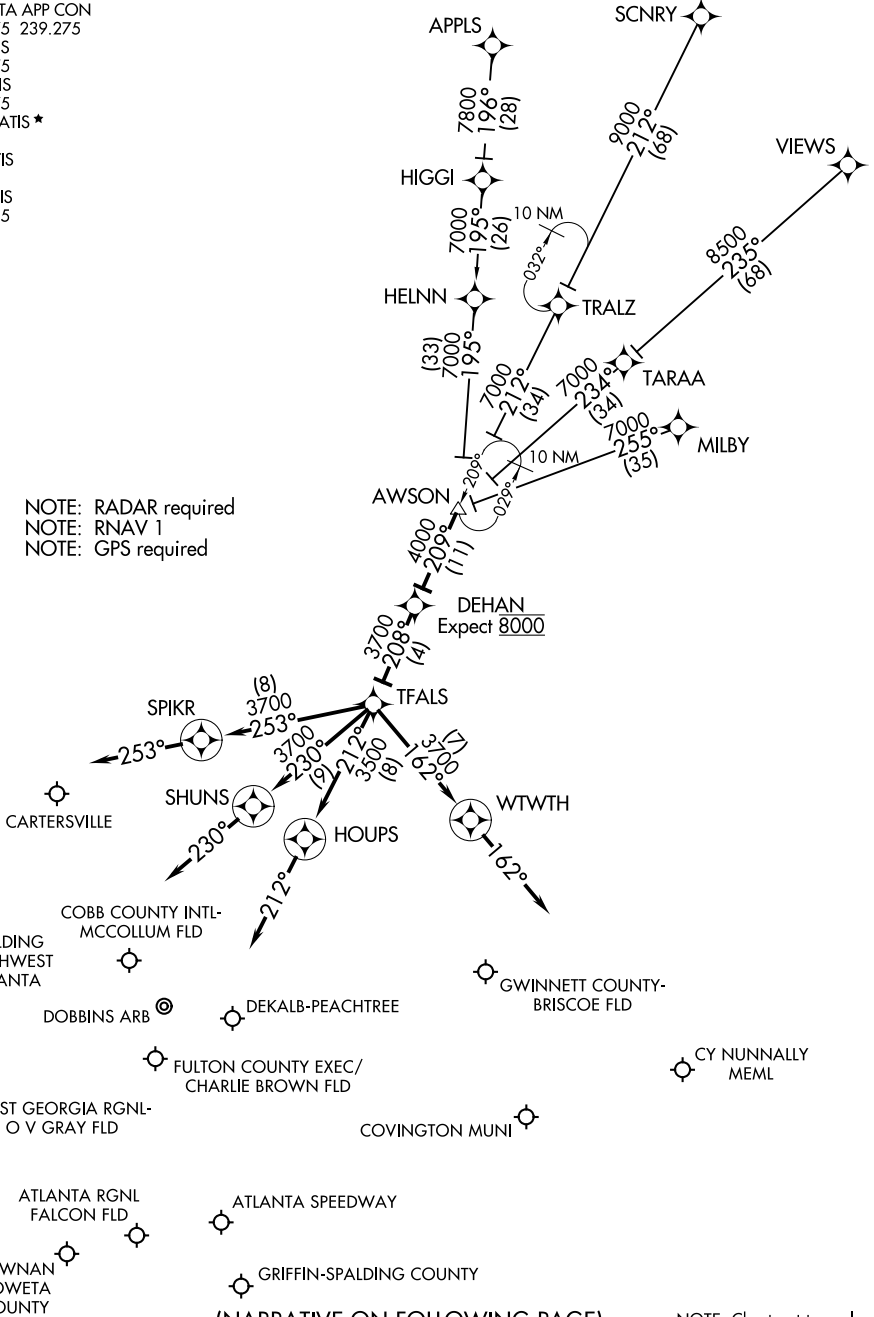
AL-469 (FAA)

DEHAN THREE ARRIVAL (RNAV)

ATLANTA, GEORGIA

ATLANTA APP CON
 126.975 239.275
 FTY ATIS
 120.175
 LZU ATIS
 132.275
 KMGE ATIS ★
 269.5
 PDK ATIS
 128.4
 RYY ATIS
 128.125

NOTE: RADAR required
 NOTE: RNAV 1
 NOTE: GPS required



SE-4, 04 NOV 2021 to 02 DEC 2021

SE-4, 04 NOV 2021 to 02 DEC 2021

(NARRATIVE ON FOLLOWING PAGE)

NOTE: Chart not to scale.

DEHAN THREE ARRIVAL (RNAV)

(AWSON.DEHAN3) 16JUL20

ATLANTA, GEORGIA

ARRIVAL ROUTE DESCRIPTION

APPLS TRANSITION (APPLS.DEHAN3)

MILBY TRANSITION (MILBY.DEHAN3)

SCNRY TRANSITION (SCNRY.DEHAN3)

VIEWS TRANSITION (VIEWS.DEHAN3)

LANDING KHMP/KD73/KLZU/K6A2/KCVC: From AWSON on track 209° to DEHAN, then on track 208° to TFALS, then on track 162° to WTWTH, then on track 162°. Expect RADAR vectors to final approach course.

LANDING KPDK/KFFC/KCCO: From AWSON on track 209° to DEHAN, then on track 208° to TFALS, then on track 212° to HOUPS, then on track 212°. Expect RADAR vectors to final approach course.

LANDING KRYV/KVPC/KPUJ/KCTJ: From AWSON on track 209° to DEHAN, then on track 208° to TFALS, then on track 253° to SPIKR, then on track 253°. Expect RADAR vectors to final approach course.

LANDING KFTY/KMGE: From AWSON on track 209° to DEHAN, then on track 208° to TFALS, then on track 230° to SHUNS, then on track 230°. Expect RADAR vectors to final approach course.

SE-4, 04 NOV 2021 to 02 DEC 2021

SE-4, 04 NOV 2021 to 02 DEC 2021

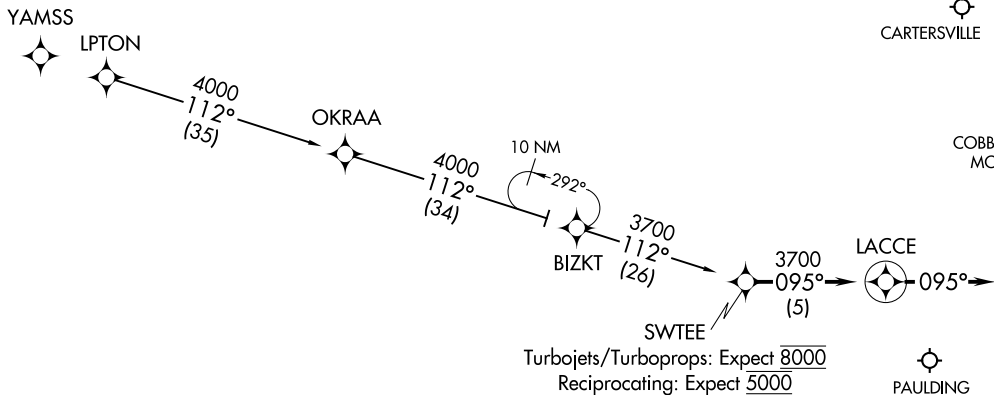
SWTTEE TWO ARRIVAL (RNAV)
(SWTTEE,SWTTEE2) 21MAY20

ATLANTA APP CON
126.975 257.9
FTY ATIS
120.175
LZU ATIS
132.275
KMGE ATIS*
269.5
PDK ATIS
128.4
RYY ATIS
128.125

(SWTTEE,SWTTEE2) 21168
SWTTEE TWO ARRIVAL (RNAV)

A1-469 (FAA)

ATLANTA, GEORGIA



NOTE: RADAR required.
NOTE: RNAV 1.
NOTE: GPS required.

ARRIVAL ROUTE DESCRIPTION

BIZKT TRANSITION (BIZKT.SWTTEE2)
LPTON TRANSITION (LPTON.SWTTEE2)

From SWTEE on track 095° to LACCE, then on track 095°.
Expect RADAR vectors to final approach course.



ATLANTA, GEORGIA

COVINGTON MUNI

NOTE: Chart not to scale.

CARTERSVILLE

COBB COUNTY INTL-
MCCOLLUM FLD

WINNETT COUNTY-
BRISCOE FLD

DOBBINS
ARB

PAULDING
NORTHWEST
ATLANTA

DEKALB-
PEACHTREE

FULTON COUNTY EXEC/
CHARLIE BROWN FLD

CY NUNNALLY
MEML

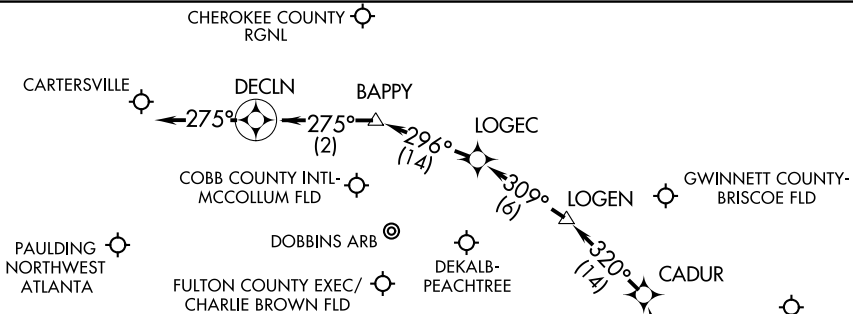
WRGNZ THREE ARRIVAL (RNAV)
(WRGNZ.WRGNZ3) 16JUL20

(WRGNZ.WRGNZ3) 21168
WRGNZ THREE ARRIVAL (RNAV)

AL-469 (FAA)

ATLANTA APP CON
128.575 343.675
FTY ATIS
120.175
LZU ATIS
132.275
*KMGE ATIS
269.5
PDK ATIS
128.4
RYY ATIS
128.125

NOTE: RADAR required.
NOTE: RNAV 1.
NOTE: GPS required.



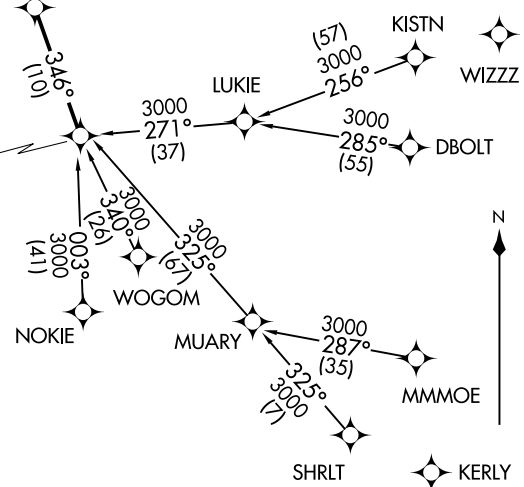
ARRIVAL ROUTE DESCRIPTION

- DBOLT TRANSITION (DBOLT.WRGNZ3)
- KISTN TRANSITION (KISTN.WRGNZ3)
- LUKIE TRANSITION (LUKIE.WRGNZ3)
- MMMOE TRANSITION (MMMOE.WRGNZ3)
- NOKIE TRANSITION (NOKIE.WRGNZ3)
- SHRLT TRANSITION (SHRLT.WRGNZ3)
- WOGOM TRANSITION (WOGOM.WRGNZ3)

From WRGNZ on track 346° to SKYME, then on track 346° to CADUR, then on track 320° to LOGEN, then on track 309° to LOGEC, then on track 296° to BAPPY, then on track 275°. Expect RADAR vectors to final approach course.

LOST COMMUNICATIONS: Cross WRGNZ at or below 11000, cross CADUR at or below 7000, cross DECLN at 4000; after DECLN proceed direct to desired approach IAF for filed airport.

WRGNZ
Turbojets: Expect 11000 250K
Turboprops: Expect 8000 or 6000
Reciprocating: Expect 6000 or 4000



NOTE: Chart not to scale.

ATLANTA, GEORGIA

ATLANTA, GEORGIA