

APP CRS 005°	Rwy Idg TDZE Apt Elev	N/A N/A 1439
------------------------	-----------------------------	---

RNAV (GPS)-B

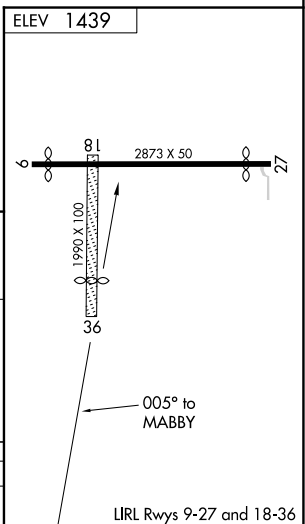
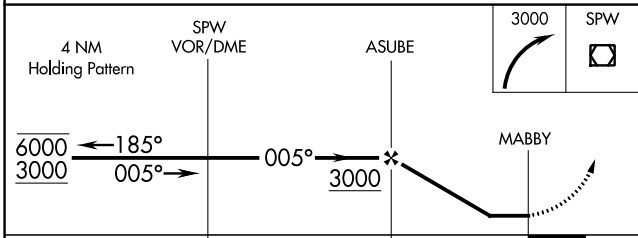
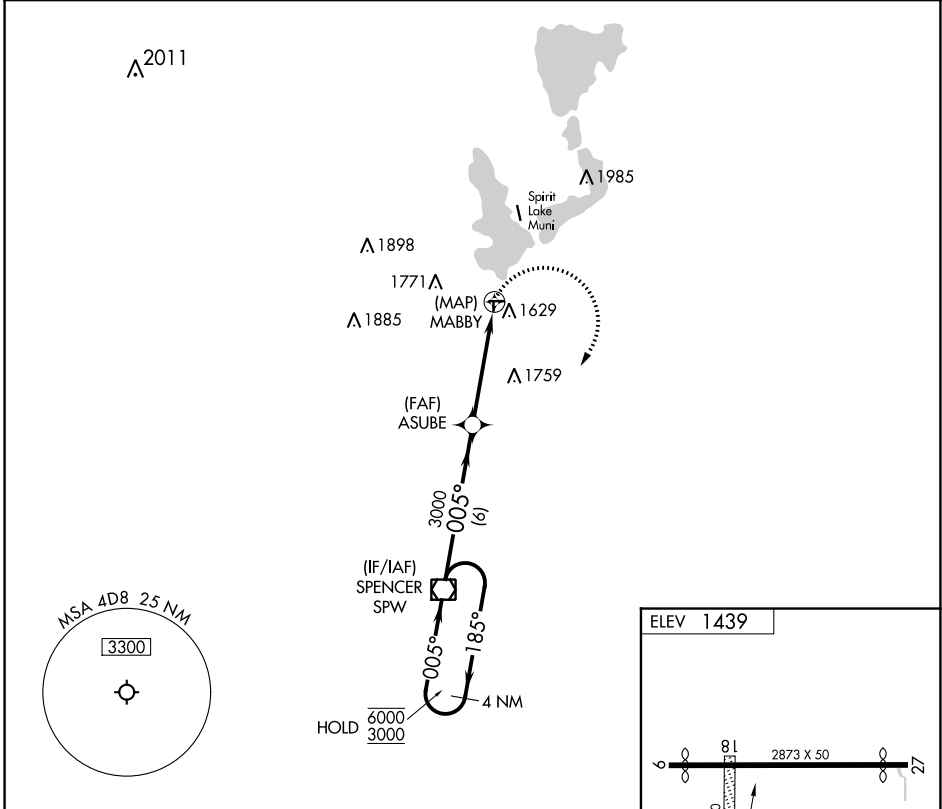
FULLER (4D8)

RNP APCH.

NA Circling NA to Rwys 18 and 36. Procedure NA at night. Use Spencer altimeter setting, when not received, use Estherville altimeter setting and increase all MDA 40 feet.

MISSED APPROACH: Climbing right turn to 3000 direct SPW VOR/DME and hold.

SPW ASOS 126.625	MINNEAPOLIS CENTER 127.75 257.7	CTAF 122.9
----------------------------	---	----------------------



CATEGORY	A	B	C	D
CIRCLING	2100-1	661 (700-1)	NA	

NC-3, 19 MAY 2022 to 16 JUN 2022

NC-3, 19 MAY 2022 to 16 JUN 2022

MILFORD, IOWA

AL-6455 (FAA)

22139

VOR/DME SPW 110.0 Chan 37	APP CRS 005°	Rwy Idg TDZE Apt Elev N/A N/A 1439
---	------------------------	--

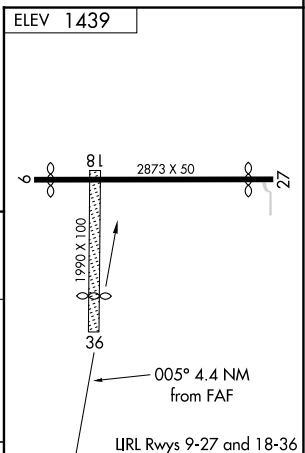
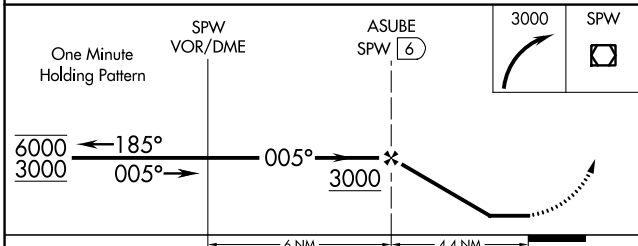
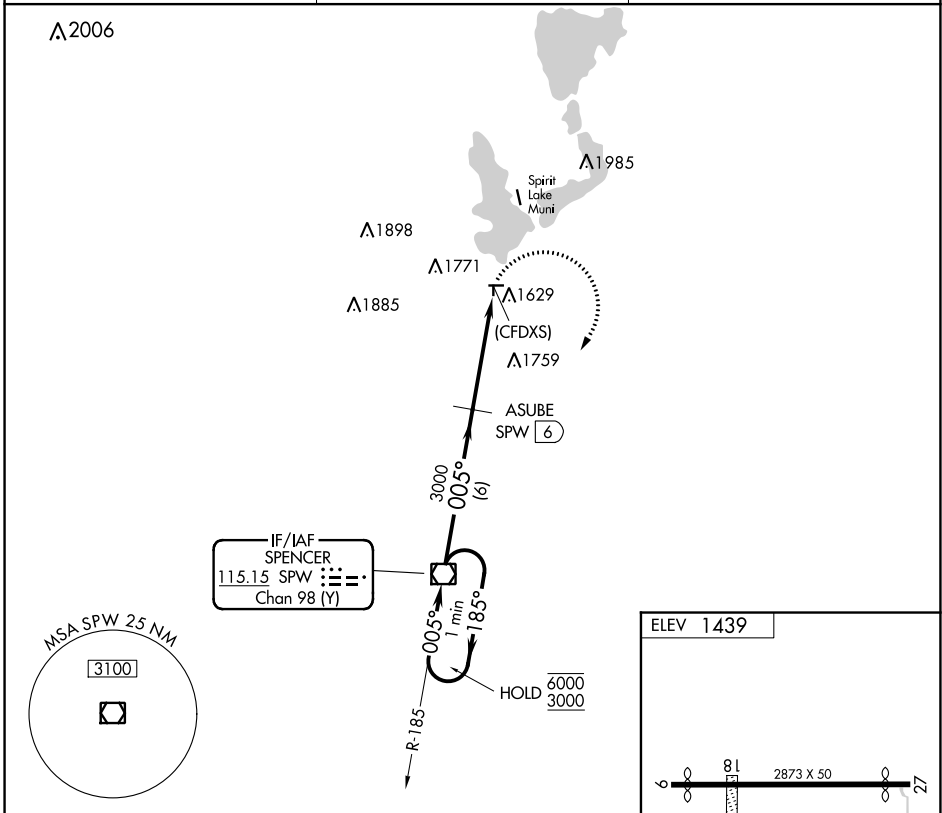
VOR-A
FULLER(4D8)

DME required. RADAR required for procedure entry.

NA Circling NA to Rwy 18 and 36. Procedure NA at night. Use Spencer altimeter setting, when not received, use Estherville altimeter setting and increase all MDA 40 feet.

MISSED APPROACH: Climbing right turn to 3000 direct SPW VOR/DME and hold.

SPW ASOS 126.625	MINNEAPOLIS CENTER 127.75 257.7	CTAF 122.9
----------------------------	---	----------------------



CATEGORY	A	B	C	D	FAF to MAP 4.4 NM												
C CIRCLING	2100-1	661 (700-1)	NA		<table border="1"> <tr> <td>Knots</td> <td>60</td> <td>90</td> <td>120</td> <td>150</td> <td>180</td> </tr> <tr> <td>Min:Sec</td> <td>4:24</td> <td>2:56</td> <td>2:12</td> <td>1:46</td> <td>1:28</td> </tr> </table>	Knots	60	90	120	150	180	Min:Sec	4:24	2:56	2:12	1:46	1:28
Knots	60	90	120	150	180												
Min:Sec	4:24	2:56	2:12	1:46	1:28												

MILFORD, IOWA
Amdt 1 03JAN19

43°20'N-95°10'W

FULLER(4D8)
VOR-A

NC-3, 19 MAY 2022 to 16 JUN 2022

NC-3, 19 MAY 2022 to 16 JUN 2022