

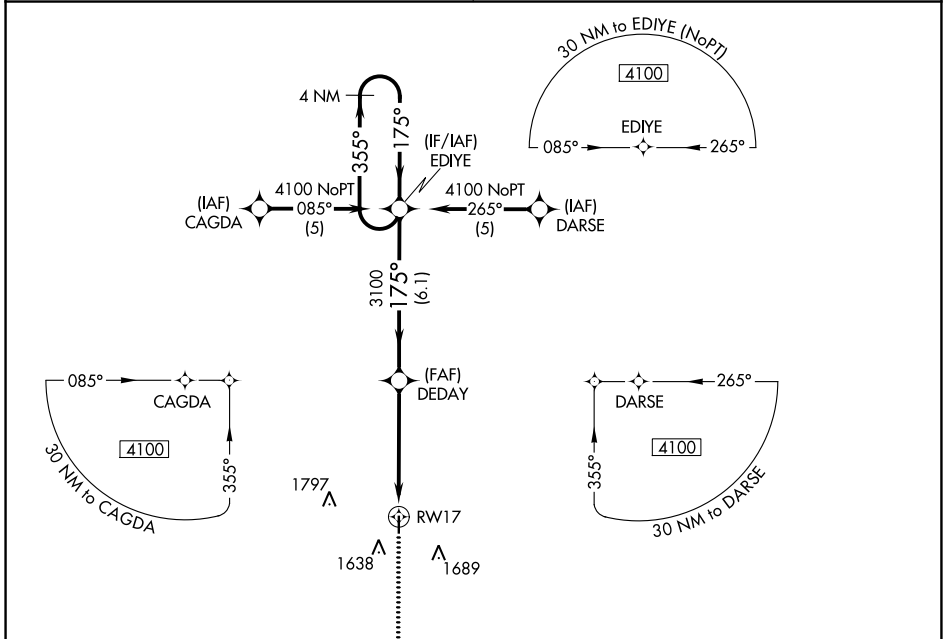
APP CRS	Rwy Idg	<b>3405</b>
<b>175°</b>	TDZE	<b>1489</b>
	Apt Elev	<b>1489</b>

# RNAV (GPS) RWY 17

MOUNDRIDGE MUNI (47K)

	GPS or RNP-0.3 required. DME/DME RNP-0.3 NA. Use McPherson altimeter setting. Procedure NA at night.	MISSED APPROACH: Climb to 4100 direct DINDE WP and hold.
--	--	--

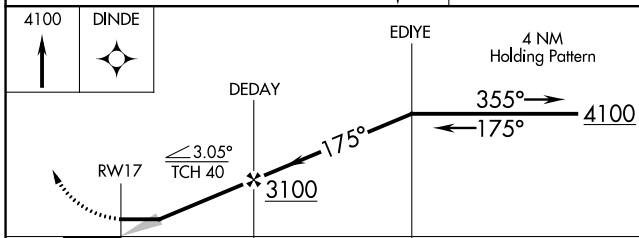
WICHITA APP CON <b>125.5 306.2</b>	CTAF <b>122.9</b>
---------------------------------------	----------------------



NC-2, 22 FEB 2024 to 21 MAR 2024

NC-2, 22 FEB 2024 to 21 MAR 2024

	ELEV <b>1489</b>	TDZE <b>1489</b>



CATEGORY	A	B	C	D
RNAV MDA	1940-1	451 (500-1)	NA	
CIRCLING	2020-1	531 (600-1)	NA	

LIRL Rwy 17-35

APP CRS  
**355°**

Rwy Idg **3405**  
TDZE **1488**  
Apt Elev **1489**

# RNAV (GPS) RWY 35

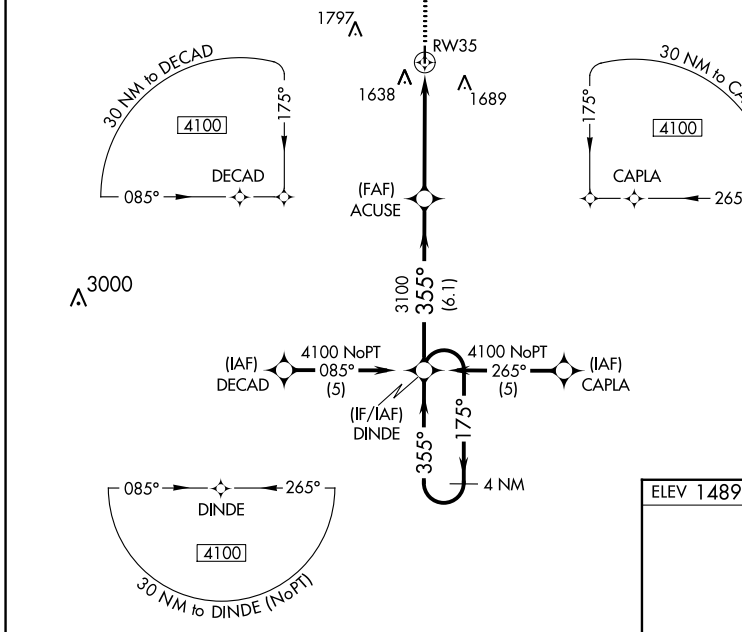
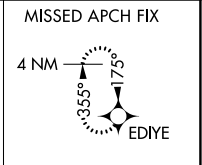
MOUNDRIDGE MUNI (47K)

**NA** GPS or RNP-0.3 required. DME/DME RNP-0.3 NA.  
Use McPherson altimeter setting.  
Procedure NA at night.

**MISSED APPROACH:** Climb to 4100 direct EDIYE WP and hold.

WICHITA APP CON  
**125.5 306.2**

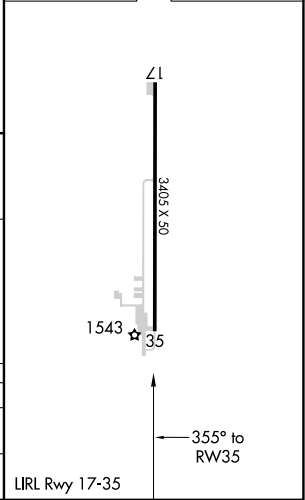
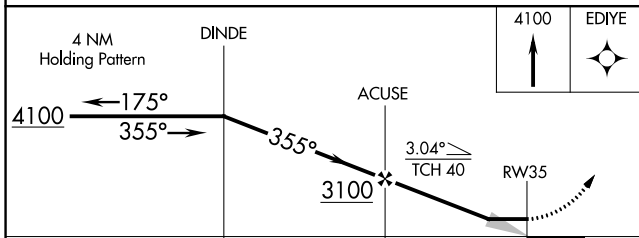
CTAF  
**122.9**



NC-2, 22 FEB 2024 to 21 MAR 2024

NC-2, 22 FEB 2024 to 21 MAR 2024

ELEV 1489      TDZE 1488



CATEGORY	A	B	C	D
LNVA MDA	1960-1	472 (500-1)		NA
CIRCLING	2020-1	531 (600-1)		NA